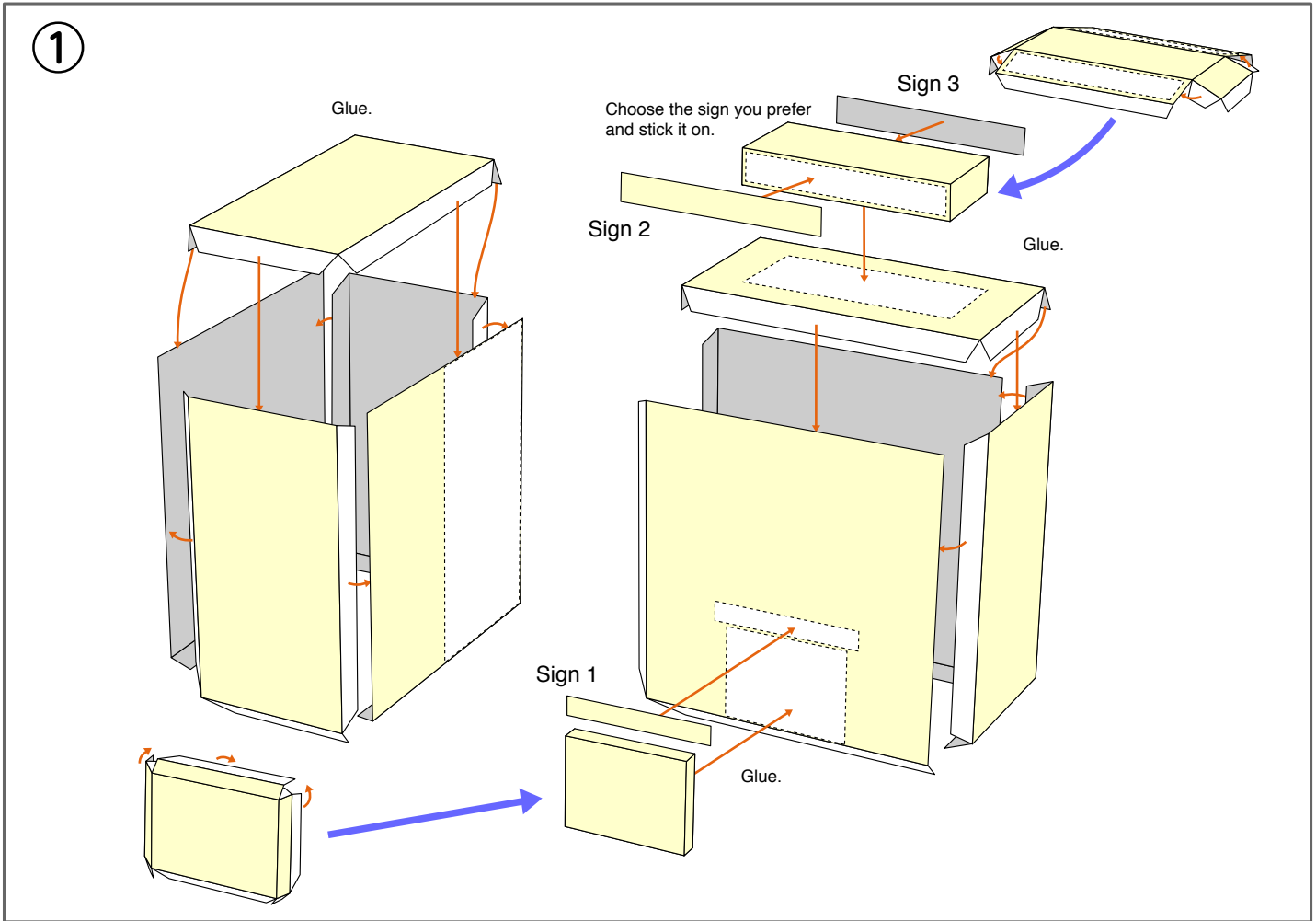




<http://www.canon.com/c-park/>



### Assembly



**Cut line**  
Cut along the line.



**Mountain fold**  
Make a mountain fold along the line.



**Valley fold**  
Make a valley fold along the line.



**Glue spot**  
Glue together.

#### You will need

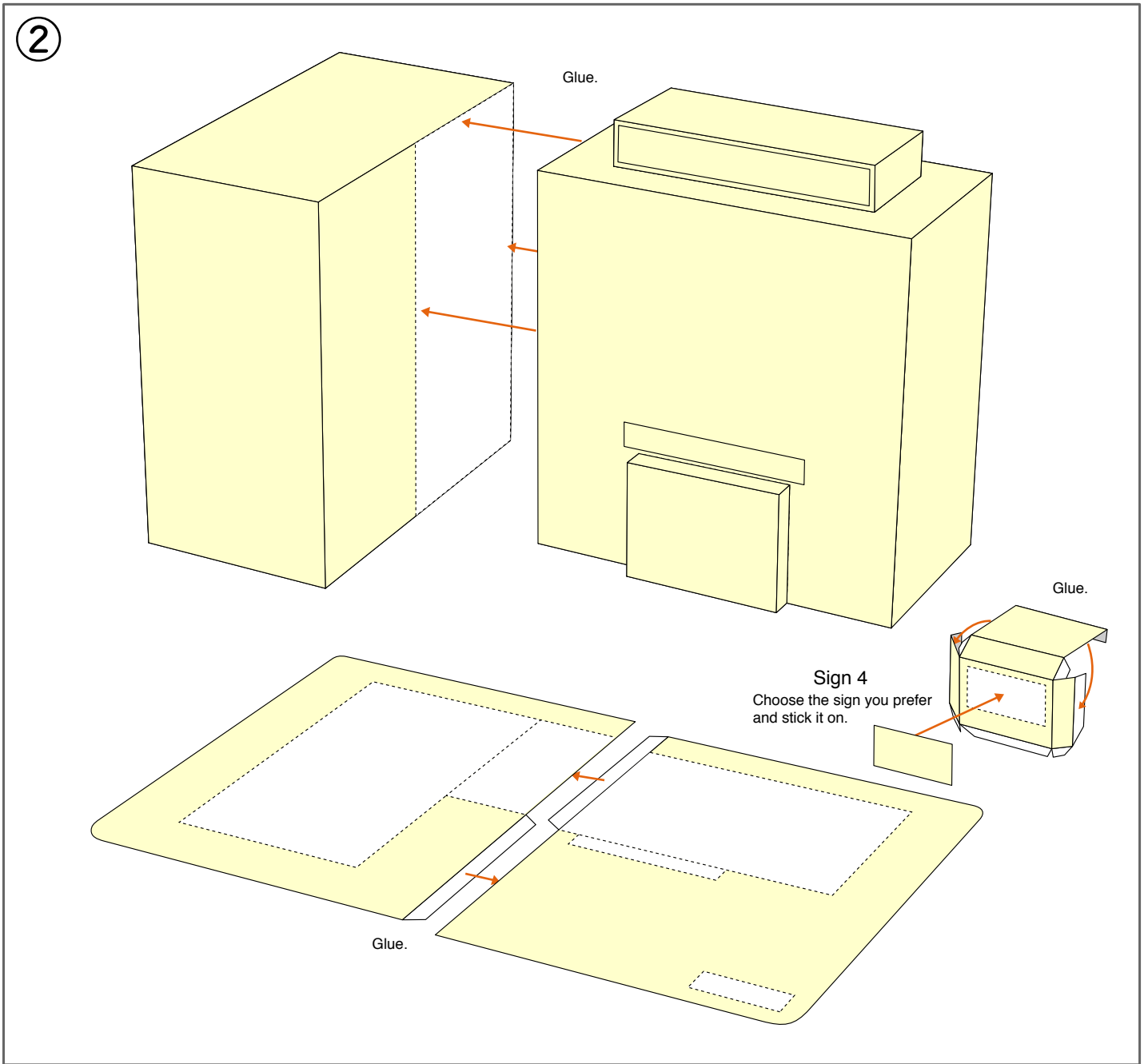
scissors, ruler, glue (we recommend woodwork glue)

#### Assembly tip

Fold along the mountain fold and valley fold lines to make creases.

#### Caution

Be very careful when handling scissors.  
Keep glue away from small children.



### Assembly



**Cut line**  
Cut along the line.



**Mountain fold**  
Make a mountain fold along the line.



**Valley fold**  
Make a valley fold along the line.



**Glue spot**  
Glue together.

#### You will need

scissors, ruler, glue (we recommend woodwork glue)

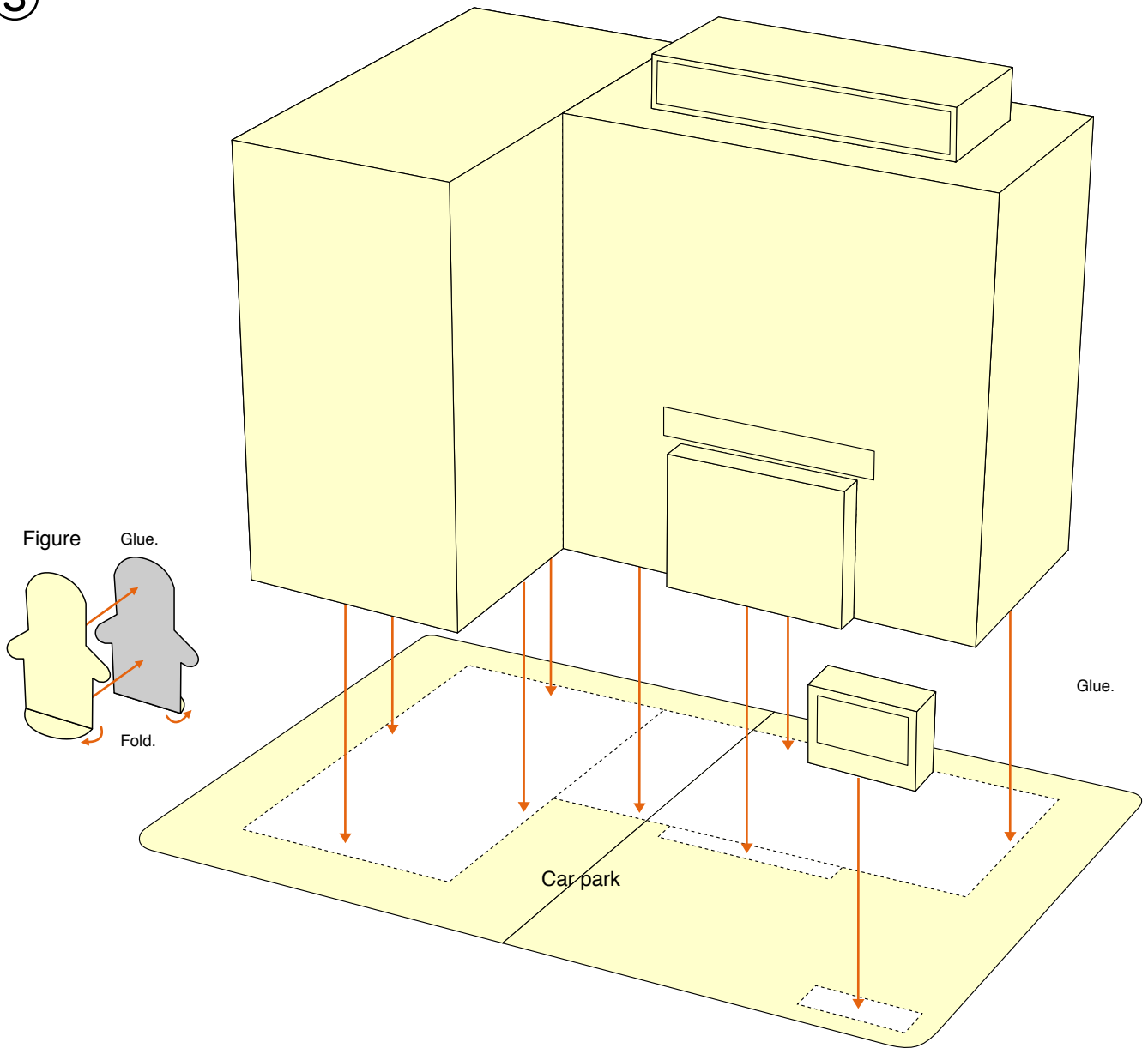
#### Assembly tip

Fold along the mountain fold and valley fold lines to make creases.

#### Caution

Be very careful when handling scissors.  
Keep glue away from small children.

3



### Assembly



**Cut line**  
Cut along the line.



**Mountain fold**  
Make a mountain fold along the line.



**Valley fold**  
Make a valley fold along the line.



**Glue spot**  
Glue together.

#### You will need

scissors, ruler, glue (we recommend woodwork glue)

#### Assembly tip

Fold along the mountain fold and valley fold lines to make creases.

#### Caution

Be very careful when handling scissors.  
Keep glue away from small children.