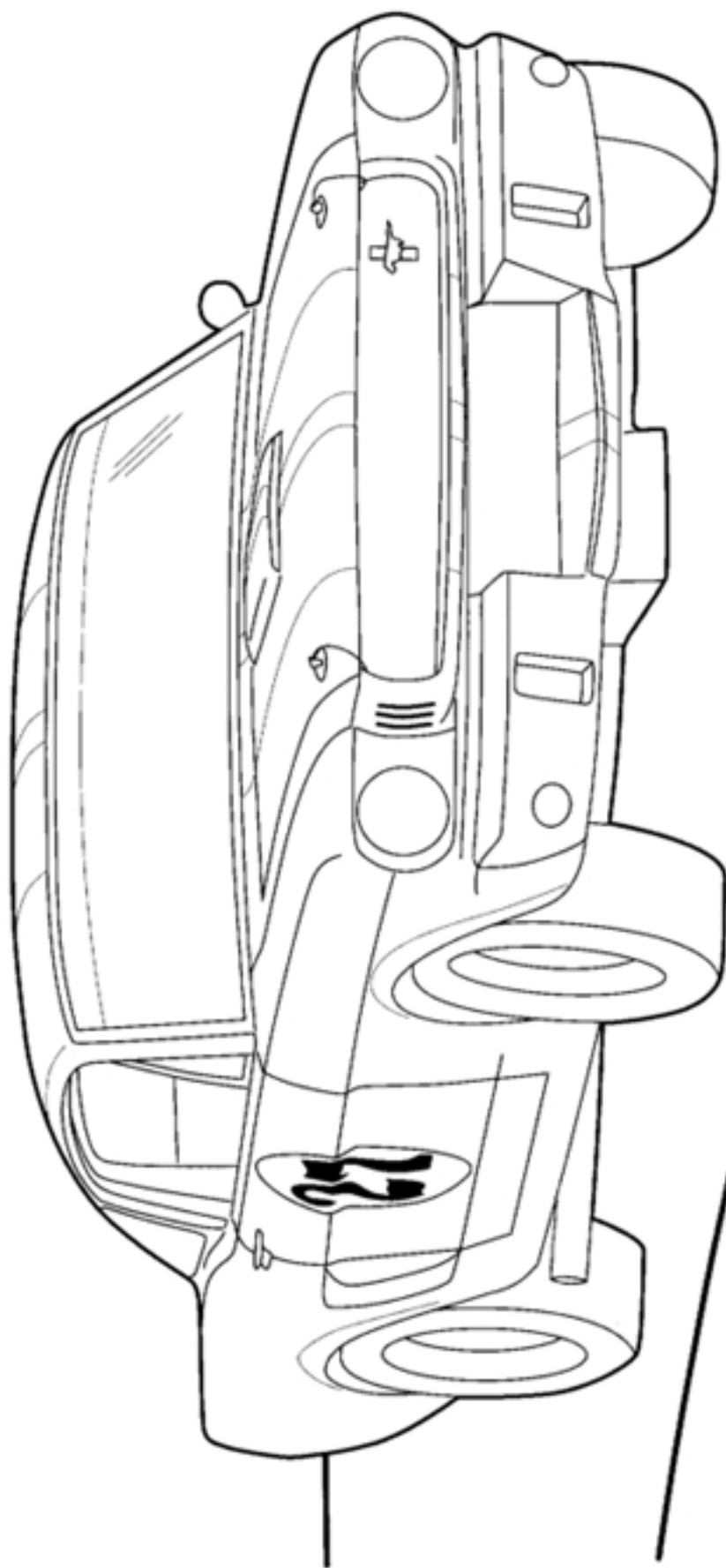
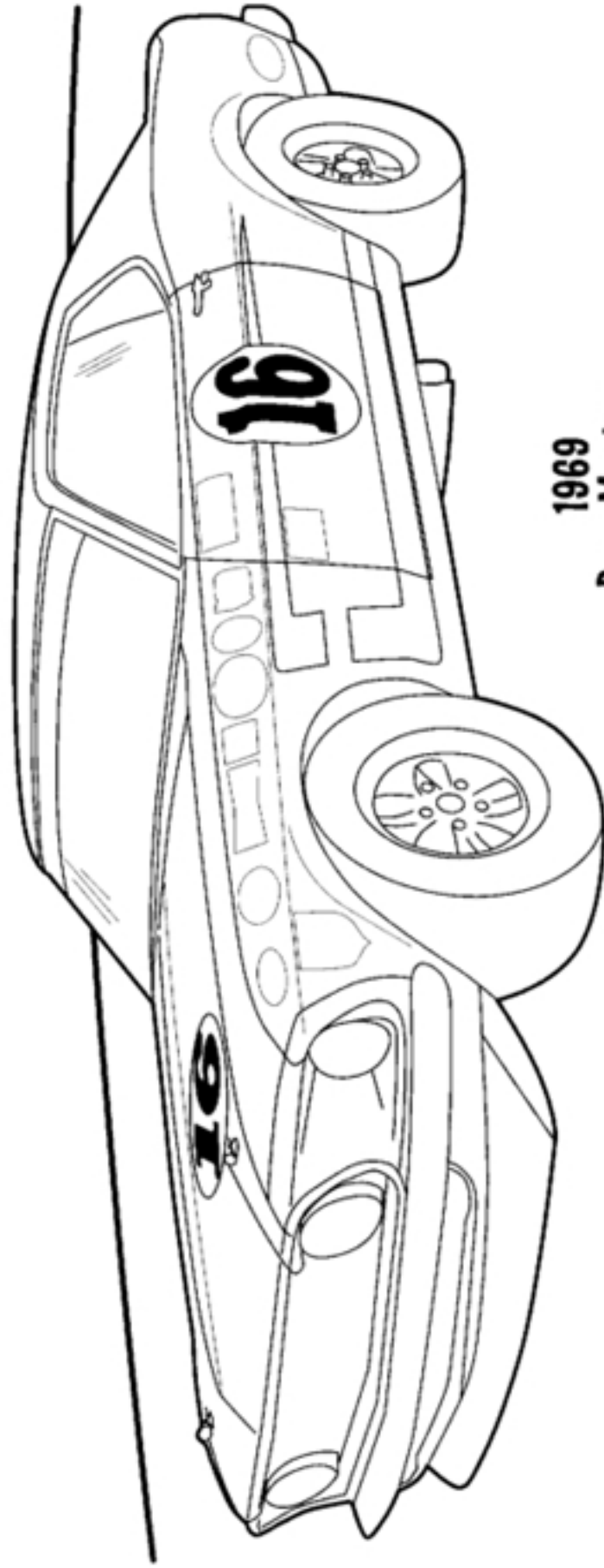


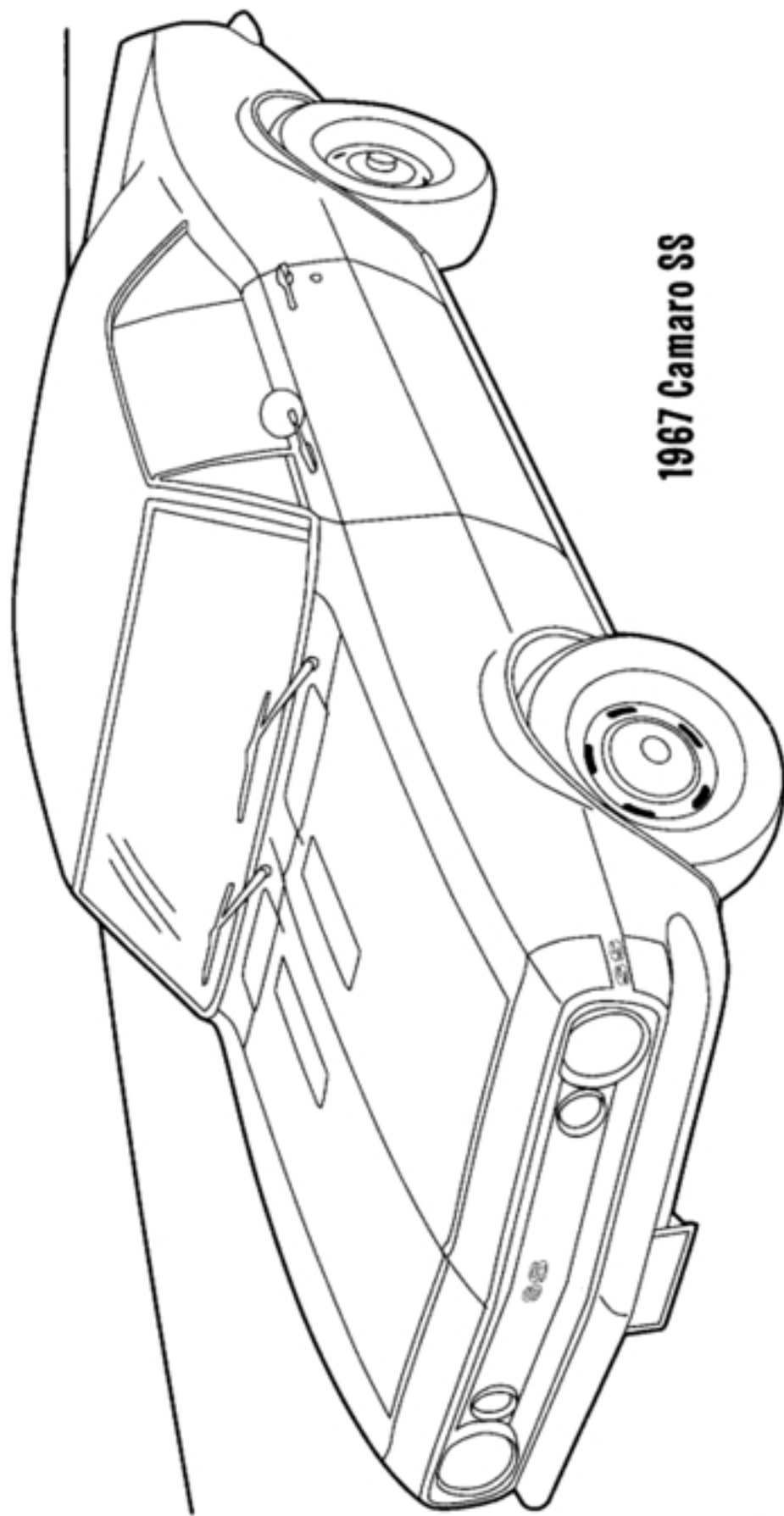
**1966
Ford Galaxie**



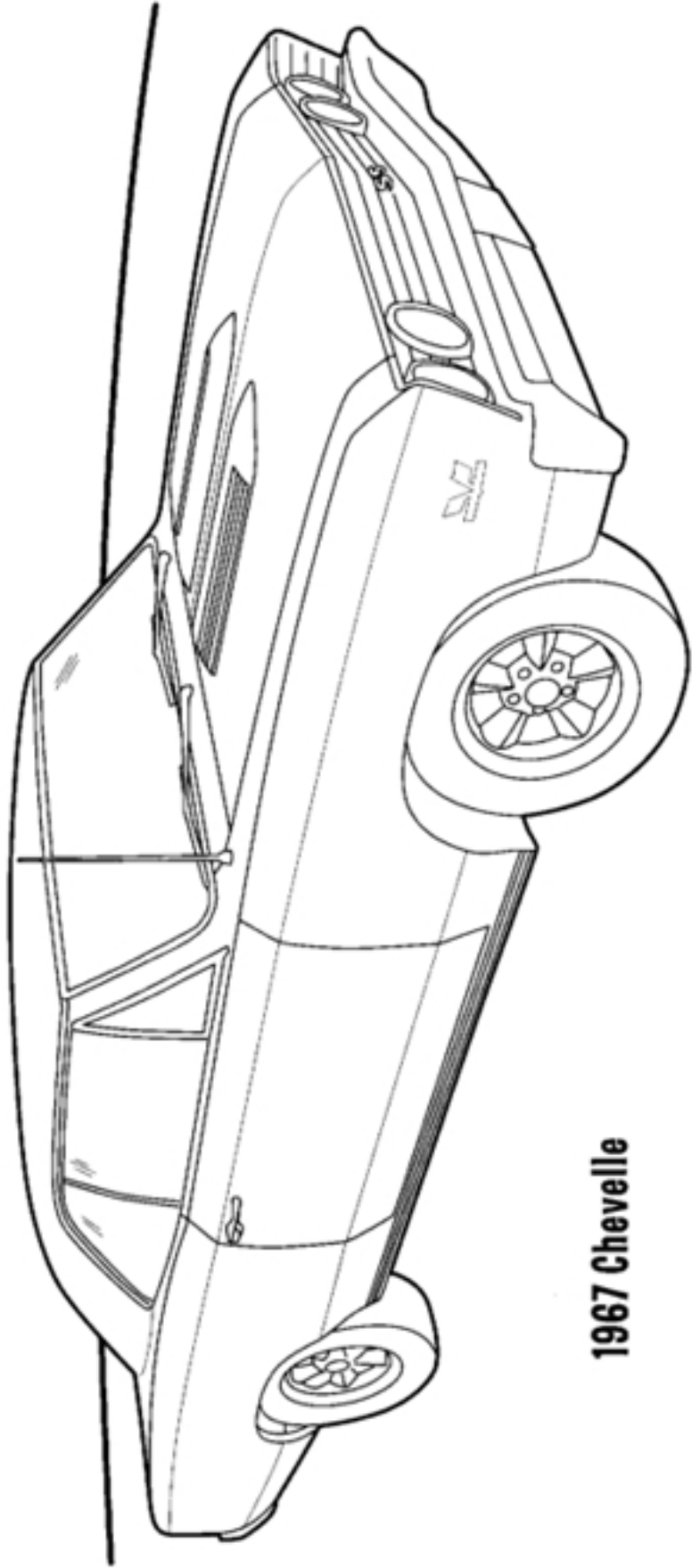
**1966
Shelby Mustang**



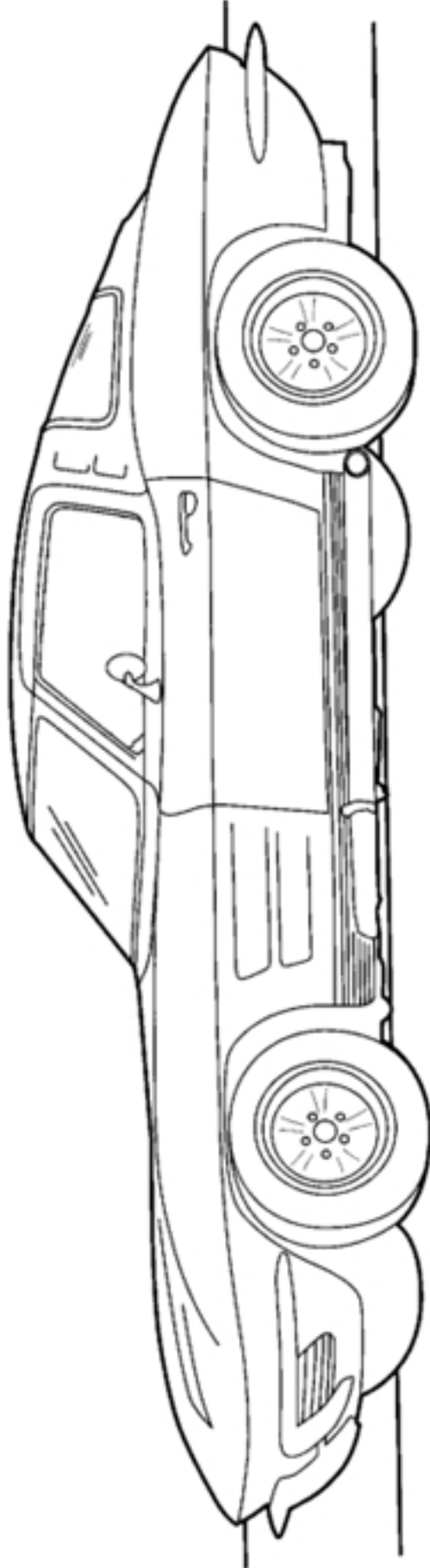
**1969
Boss Mustang**



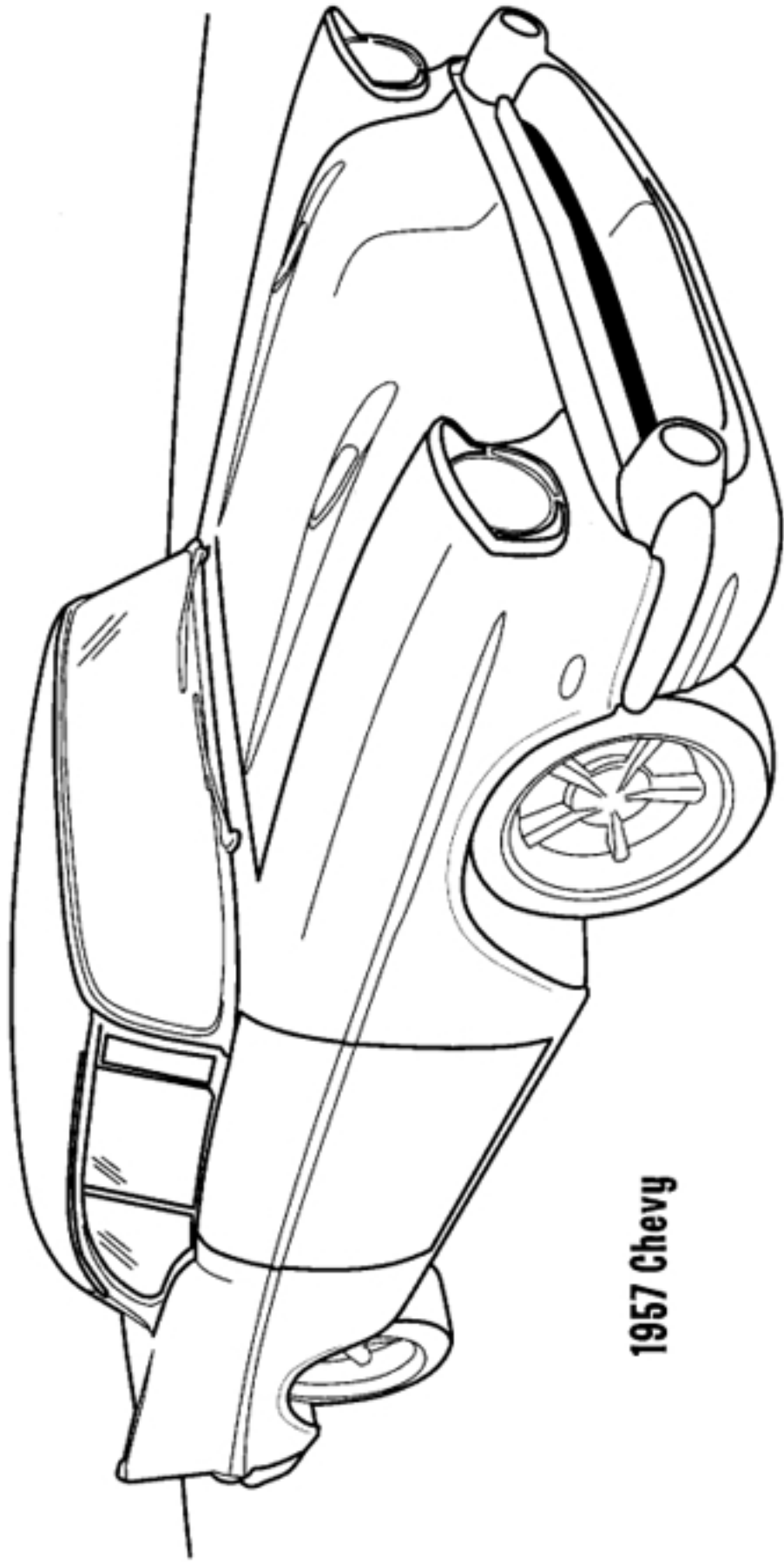
1967 Camaro SS



1967 Chevelle



1963 Corvette



1957 Chevy

